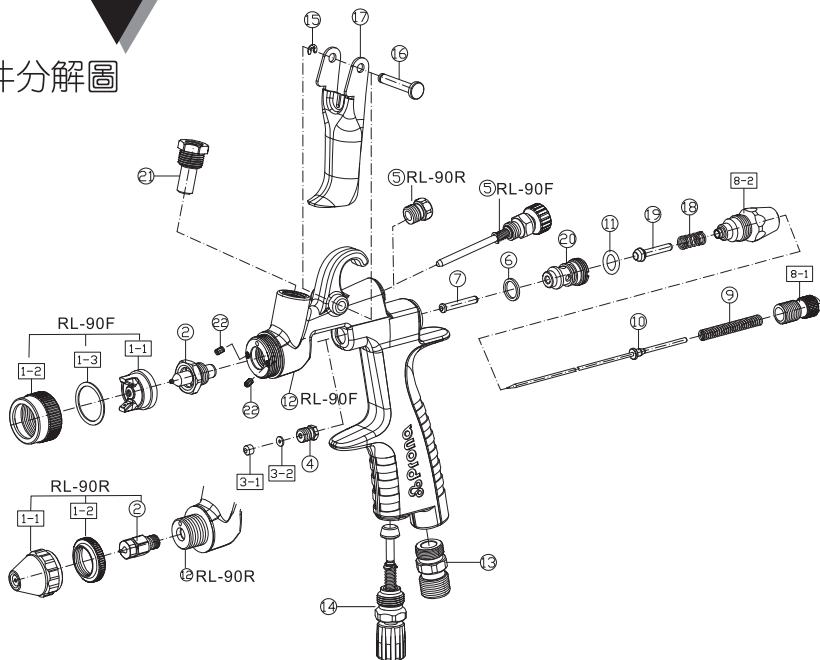


RL90-F/R

修補噴槍

使用說明書

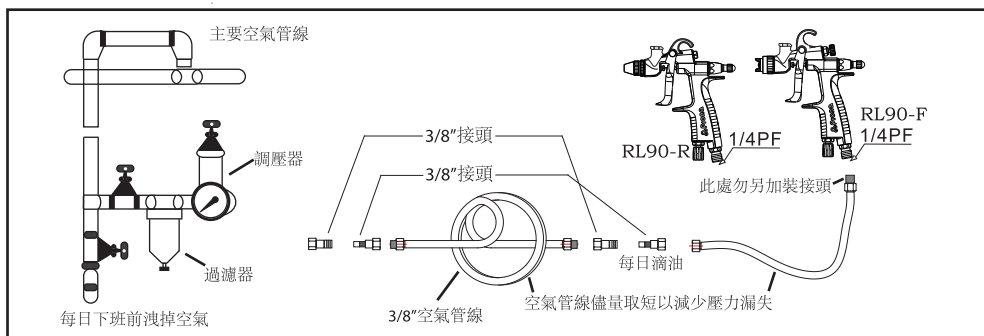
零件分解圖



編號	名稱	數量
1-1	噴蓋	1
1-2	蓋螺帽(RL90-F)	1
1-3	噴蓋固定螺帽(RL90-R)	1
2	噴嘴	1
3-1	頂針迫緊1	1
3-2	頂針迫緊2	1
4	頂針迫緊螺帽	1
5	噴調組(RL90-F)	1
	風塞螺絲(RL90-R)	1

編號	名稱	數量
6	空氣閥座迫緊	1
7	頂針導座	1
8-1	塗料旋鈕	1
8-2	塗料旋鈕導座	1
9	頂針彈簧	1
10	頂針組	1
11	O型環	1
12	本體	1
13	空氣接頭	1
14	空調組	1

編號	名稱	數量
15	扣環	1
16	止軸	1
17	扳機	1
18	空氣閥彈簧	1
19	空氣閥	1
20	空氣閥座組	1
21	塗料接頭	1
22	不銹鋼機米螺絲	2



當您在操作噴槍之前，請詳細閱讀本說明書

使用前應注意事項：

本噴槍僅可當作風動工具使用，以手操作為限。無論在任何情況下，本噴槍絕不可移作他用，以免危害到操作者或其他在旁的人員。

請參考左下圖，將噴槍及乾淨的空氣管線緊接好，漆杯及噴槍亦必須鎖緊。而在修理噴槍前，請切記要將空氣及塗料之供應源關閉。

噴塗時應注意事項：

- 不可讓未經受訓或不相關人員操作噴槍。
- 不可拉提噴槍的空氣風管，此舉可能會傷害到噴槍及空氣管線的接頭，甚至危害到工作人員。
- 不可將噴槍瞄向自己或別人。
- 請勿在工作場所裏點火或吸煙，其附近也不可有火種。
- 會與鋁發生化學變化的溶劑不可使用，以免發生危險。
- 最高使用壓力為7公斤/平方公分。
- 請使用本公司之出廠零件。

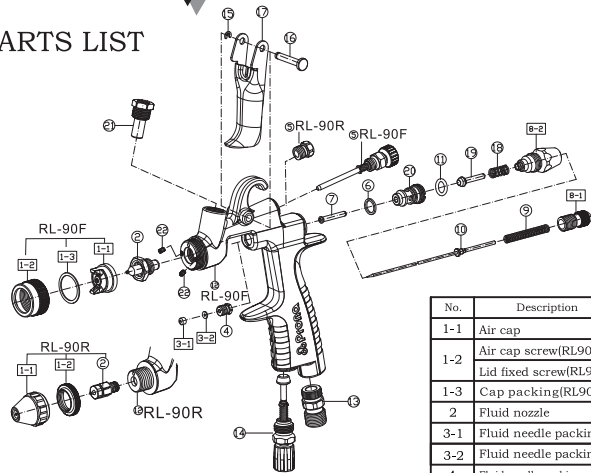
個人保護裝備：

當您進行塗裝時，請務必戴口罩。由於塗裝時，噪音或許會超過85 dB (A)，故亦請戴安全耳罩以保護耳朵。不管是在塗裝或清洗噴槍當中，均請戴護目鏡及手套。

問題排除

欠妥的噴形	原因	排除方法
塗料時有時無	a. 漆杯內塗料太少 b. 頂針迫緊乾澀或磨損 c. 噴嘴鬆脫或損壞	a. 添加塗料 b. 潤滑或更換頂針迫緊 c. 鎖緊或更換噴嘴
噴面呈新月形	a. 塗料積存在噴蓋上	a. 用適當物品清洗噴蓋上阻塞的空氣孔，但絕不可用金屬物品清洗
噴面一邊較重	a. 塗料積存在噴蓋上 b. 噴嘴翹曲或損壞	a. 清洗或更換噴蓋 b. 清洗或更換噴嘴
噴面分離	a. 塗料太稀或不足 b. 空氣壓力太高	a. 增加塗料粘度 b. 降低空氣壓力
噴面中間較重	a. 塗料太濃或太多 b. 空氣壓力太低	a. 降低塗料粘度 b. 增加空氣壓力
塗料自噴嘴流出	a. 噴嘴或頂針附著異物 b. 噴嘴或頂針磨損	a. 用溶濟清洗頂針或噴嘴 b. 更換零件
塗料自頂針迫緊螺帽流出	a. 頂針迫緊螺帽鬆脫 b. 頂針迫緊乾澀或損壞	a. 鎖緊頂針迫緊螺帽但要讓頂針能滑動 b. 潤滑或更換零件

PARTS LIST



No.	Description	Q' ty
1-1	Air cap	1
1-2	Air cap screw(RL90-F)	1
1-3	Lid fixed screw(RL90-R)	1
2	Cap packing(RL90-F)	1
3-1	Fluid nozzle	1
3-2	Fluid needle packing 1	1
3-2	Fluid needle packing 2	1
4	Fluid needle packing screw	1

No.	Description	Q' ty
5	Pattern adjusting set(RL90-F)	1
	Seal bolt(RL90-R)	1
6	Air valve seat packing	1
7	Fluid needle guide	1
8-1	Fluid adjusting knob	1
8-2	Fluid adjusting knob guide set	1
9	Fluid needle spring	1
10	Fluid needle set	1
11	O ring	1
12	Gun body	1
13	Air connector	1
14	Air adjusting set	1
15	Locking ring	1
16	Trigger stud	1
17	Trigger	1
18	Air valve spring	1
19	Air valve	1
20	Air valve seat set	1
21	Fluid connector	1
22	Stainless screw	2

Prior to operation read the operating instructions carefully.

OPERATION

The SPRAY GUN has been designed as a HAND HELD, AIR OPERATED TOOL, and in the interests of safety must only be used for the purpose for which it has been designed. The tool should on no account be used for any other purpose for whatever reason, this could result in danger to the operator and those within the immediate working area. The Spray Gun should be connected to a clean air supply using the recommended fittings and hose size as specified in the diagram. Whenever possible there should be an air filter & regulator in the system as diagram. The recommended pressure at the tool should measure 60 psi while running free. Check fittings and hoses regularly for signs of fraying, or accidental damage. Replace any worn items before continuing to operate the Spray Gun. Always connect the cup and the air hose tightly to the Spray Gun before use. Ensure the material and air supply are disconnected before effecting any work on the Spray Gun.

ADJUSTMENT

To obtain the required spraying pattern, volume of fluid and degree of atomisation, use the Pattern Adjusting Knob, Air Adjusting Knob and the Fluid Adjusting Knob.

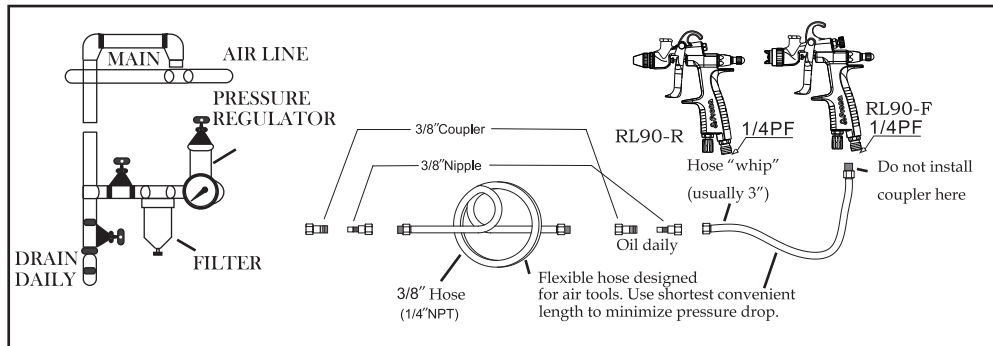
a) To Adjust the Pattern—Turn the Pattern Adjusting Set to the Right to narrow the spray pattern and to the left to widen the spray pattern. (Only use for RL90-R/F)

b) To Adjust the Fluid Output—Turn the Fluid Adjusting Knob to the Right to reduce the fluid output and to the Left to increase the fluid output. Turning the Fluid Adjusting set fully to the Right will stop the fluid completely, the spray gun will then only emit air.

c) To Adjust the Air Volume—Turn the Air Adjusting Set to the Right to reduce the air volume and to the Left to increase the air volume.

d) The recommended air pressure is 2.0–2.5 bar with RL90-R; And 0.9–1.5 bar with RL90-F. The recommended spray distance to object is 10–15 cm.

e) RL90-R creates the round spray pattern only.



SERVICING

- a. Clean air cap, fluid nozzle and fluid needle with brush after each operation.
- b. Flush the gun material passage with a compatible solvent.
- c. Do not submerge complete spray gun in solvents.
- d. Fluid needle packing screw should not be tightened completely, or the fluid needle set will be sluggish.
- e. Turning the fluid adjusting knob too far to the left will weaken the fluid needle spring, this will make the fluid nozzle to leak.
- f. Fluid nozzle tip must thrust from air cap when air cap lock nut is tightened up. (RL90-R, RL90-F)
- g. Before install or dismantle nozzle, fluid knob must be dismantled and press the trigger to make sure that nozzle and needle disconnect, otherwise needle and nozzle wear and tear each other and cause bad seal.

PERSONAL PROTECTIVE EQUIPMENT

The use of breathing mask is recommended at all times when spraying. The noise level may exceed 85 dB (A) when the spray gun is being used, a sound absorber protection is also recommended. Always wear goggles and gloves when spraying or cleaning. No vibrations are transmitted to the operator when using the spray gun.

SAFETY

Never allow untrained or unauthorized persons to operate this spray gun. Never exceed the recommended air pressure. Never use matches, smoke or operate a spray gun in the vicinity of a naked flame. Never aim spray gun at people. Never spray food or chemicals through spray gun. Do not carry or pull the gun by the hose, this could cause failure of the hose/gun connection result in danger to the operator or other workers. Use only original spare parts. Do not use the following solvents: 1,1,1-Trichloroethane and Methylene Chloride. These solvents can chemically react with aluminium used in spray guns and fluid cups possibly causing an explosion. Do not use these solvents for equipment cleaning or flushing. Spray gun should never be stored in acid laden cleaners. If in doubt consult material supplier.

Model	Type of Feed	Fluid Nozzle Orifice	Air Pressure kg/cm ² (Mpa)	Air Consumption l/min	Fluid Output	Pattern Width ±20	Weight g(lbs)
		Ø mm(in)			ml/min	mm(in)	
RL90-R	Gravity	0.4(0.016)	2.0-2.5 (0.2-0.24)	30	15	25(1.97)	329.2 (0.74)
		0.6(0.024)			35	35(1.38)	
		1.0(0.039)			80		
RL90-F	Gravity	0.4(0.016)	0.9-1.5 (0.09-0.15)	50	8	40(1.57)	336.2 (0.75)
		0.6(0.024)			25	60(2.36)	
		1.0(0.039)			55	100(3.94)	

RL90-R/RL90-F Spray Distance: 100-150mm(3.94-5.9in). Fluid Viscosity: 9 ± 1 seconds/RV-2. Air Intake: 1/4 PF/NPF.

TROUBLE –SHOOTING

TROUBLE	CAUSE	SOLUTION
Fluttering	a. Insufficient material in cup. b. Dry or worn fluid needle packing set or loose fluid needle packing screw. c. Loose or damaged fluid nozzle.	a. Refill material. b. Lubricate or replace fluid needle packing set or tighten fluid needle packing screw. c. Tighten or replace fluid nozzle.
Crescent	a. Material store—up on air cap.	a. Clean air cap with proper objects. b. Clogged air holes must not be cleaned with metal objects.
Heavy top or bottom	a. Material store—up on air cap. b. Dirty or damaged fluid nozzle.	a. Clean or replace air cap. b. Clean or replace fluid nozzle.
Split	a. Material too thin or not enough. b. Atomizing air pressure too high.	a. Increase material viscosity. b. Reduce air pressure.
Heavy center	a. Material too thick or too much. b. Atomizing air pressure too low.	a. Reduce material viscosity. b. Increase air pressure.
Material drips from fluid nozzle	a. Obstructions between fluid nozzle and fluid needle. b. Worn fluid nozzle or needle.	a. Clean fluid needle and fluid nozzle in thinner. b. Replace parts.
Material leaks from needle packing screw	a. Loose fluid needle packing screw. b. Dry or worn fluid needle packing.	a. Tighten fluid needle packing screw, check fluid needle for free movement. b. Lubricate or replace needle packing.